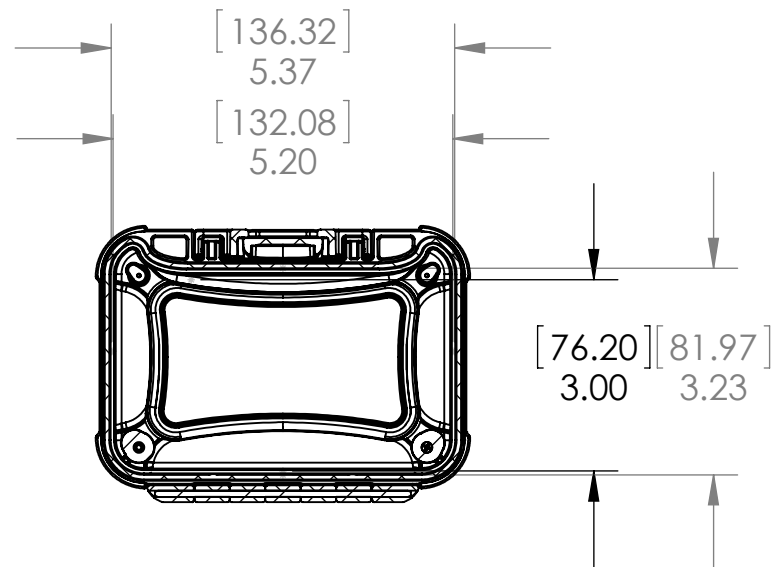
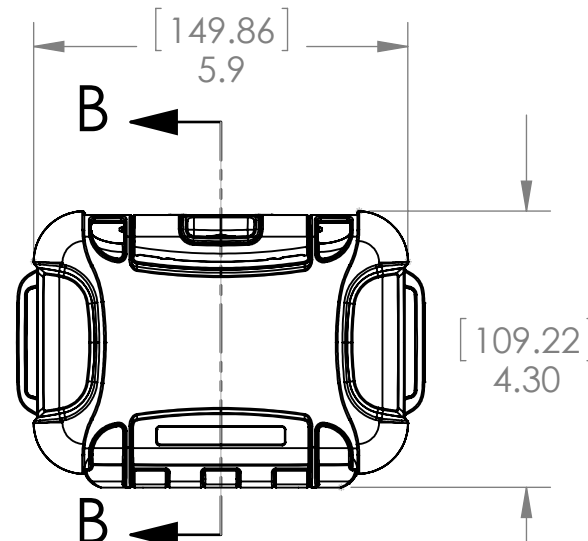
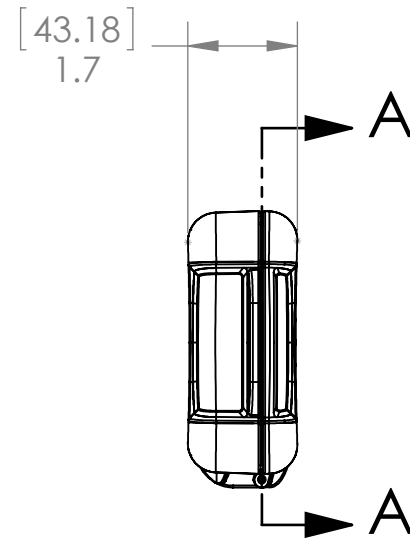
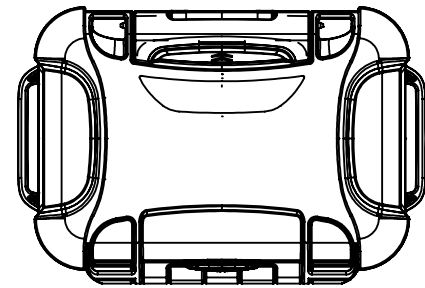
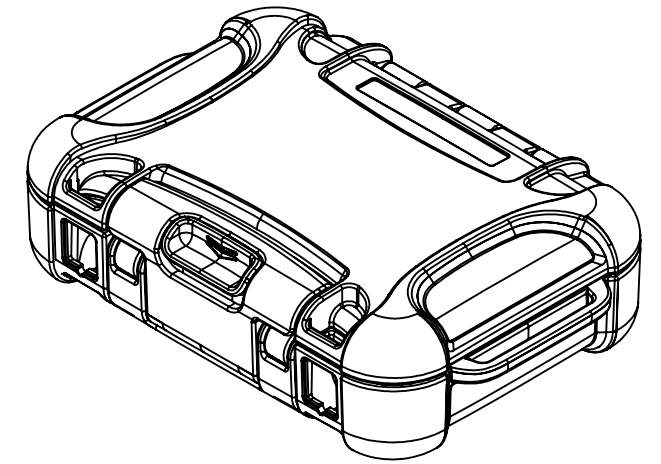
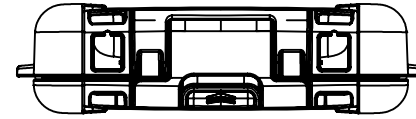
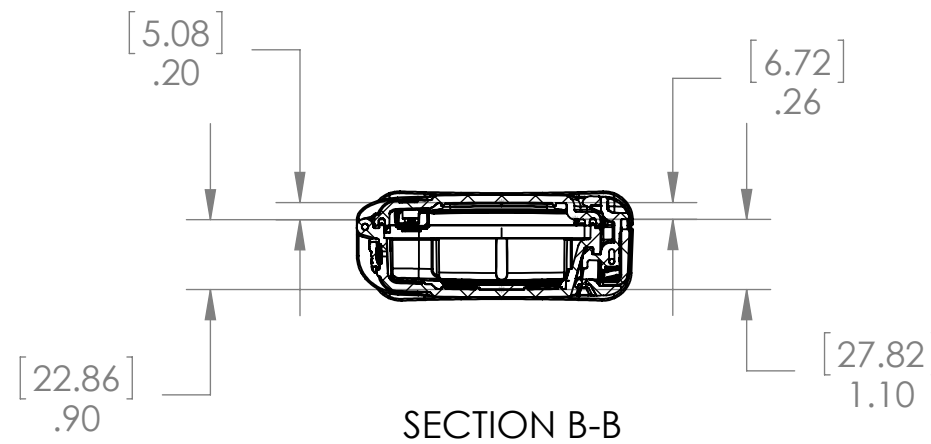


THE INFORMATION CONTAINED IN THIS DRAWING IS THE SOLE PROPERTY OF PLASTICASE ANY REPRODUCTION IN PART OR WHOLE WITHOUT THE WRITTEN PERMISSION OF PLASTICASE IS PROHIBITED.

REVISIONS			
REV.	DESCRIPTION	DATE	APPROVED



SECTION A-A
SCALE 1 : 3



SECTION B-B
SCALE 1 : 3

NANUK nano 310 Specifications

Interior Length	5.2" / 131mm
Interior Width	3.0" / 77mm
Interior Height	1.1" / 28mm
Interior Lid Depth	0.2" / 6mm
Interior Base Depth	0.9" / 22mm
Exterior Length	5.9" / 149mm
Exterior Width	4.3" / 110mm
Exterior Height	1.7" / 43mm
Master Pack Qty.	10
Master Pack Wt.	6.8lbs / 3.08kg
Max Buoyancy	-
Case Weight Empty	0.4lbs / 0.2kg

PARTS LIST			
UNLESS OTHERWISE SPECIFIED DIMENSIONS ARE IN INCHES	CAD GENERATED DRAWING, DO NOT MANUALLY UPDATE		PLASTICASE
	APPROVALS	DATE	
	DRAWN B.C.	30/01/2015	NANUKNANO 310
	CHECKED		
	RESP ENG		
	MFG ENG		
	QUAL ENG		
MATERIAL			
FINISH --			
DO NOT SCALE DRAWING			
	SIZE B	DWG. NO.	REV.
	SCALE 1:1	CAD FILE: AssemblageV1.9.0	SHEET 1 OF 1