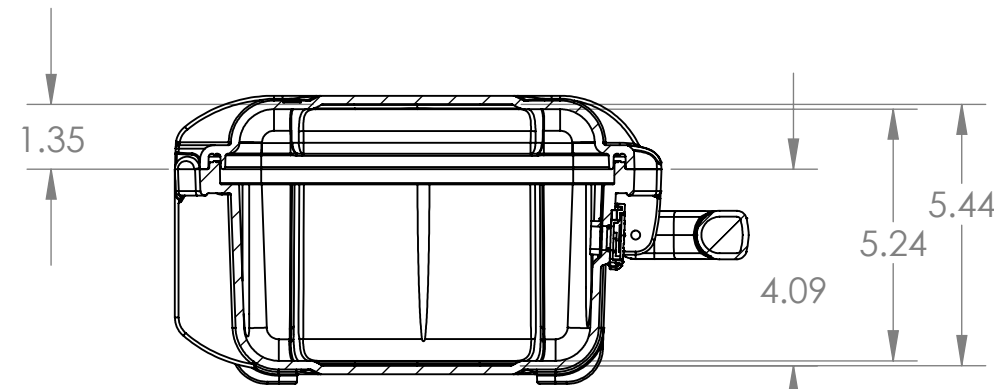
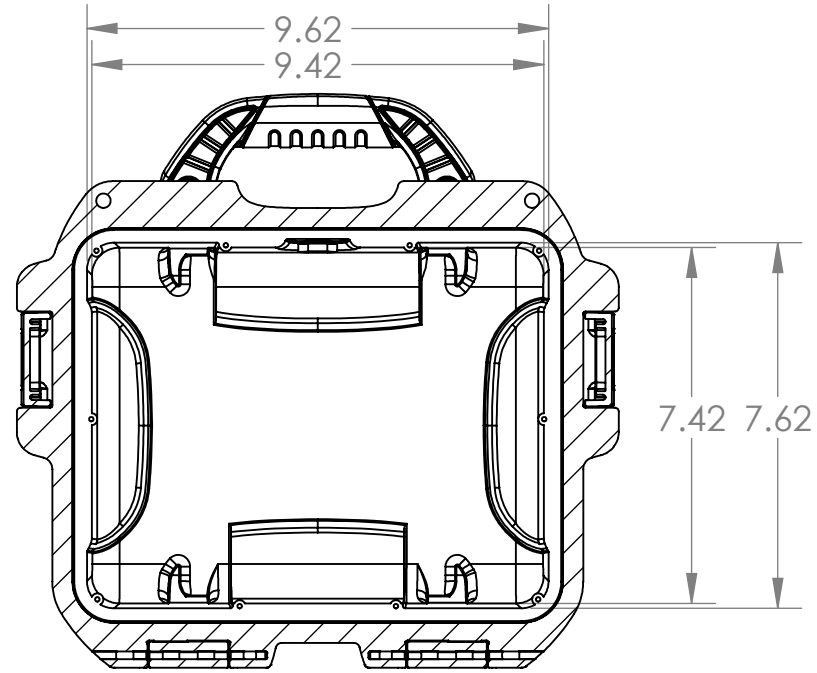
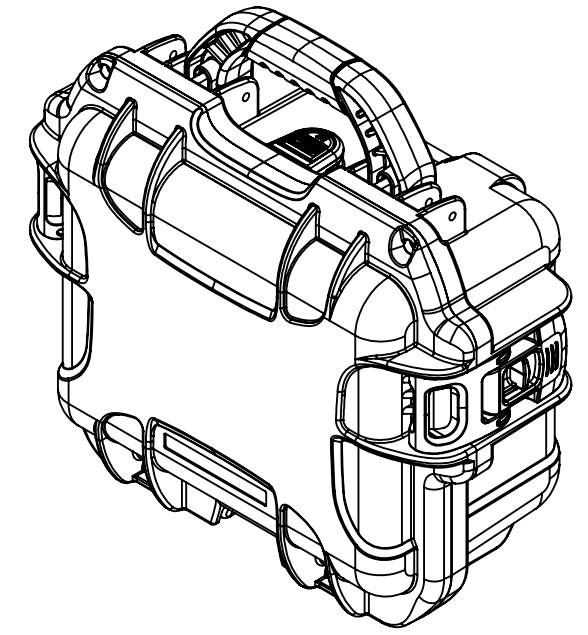
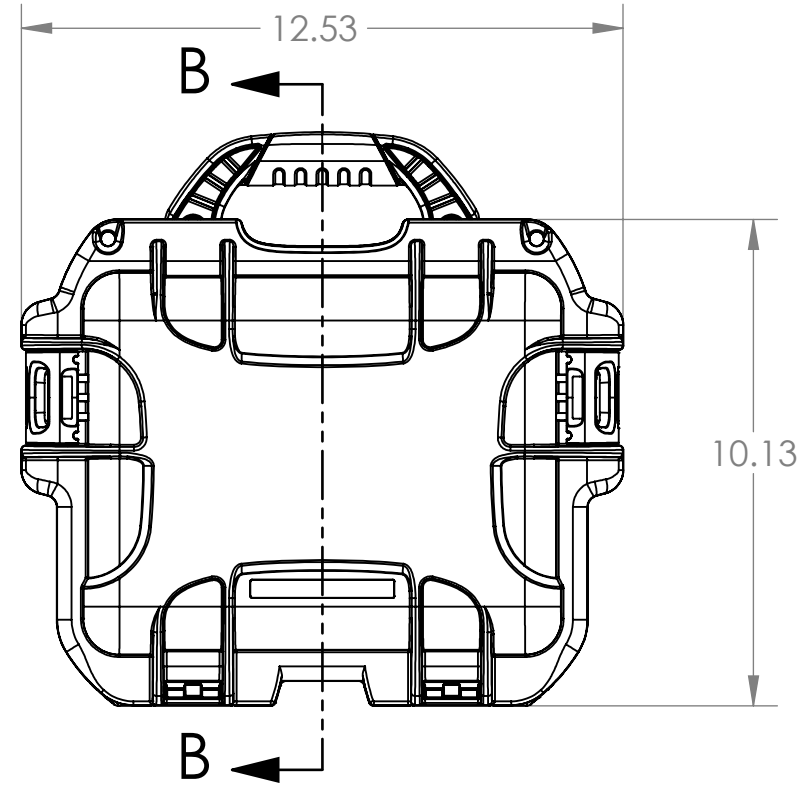
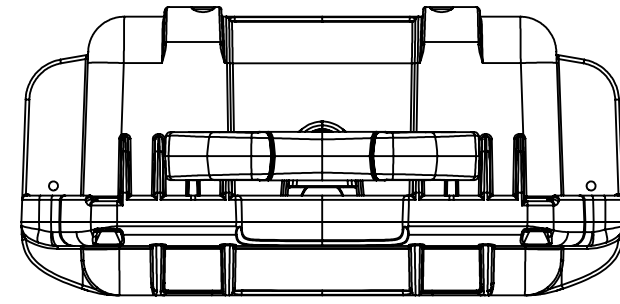
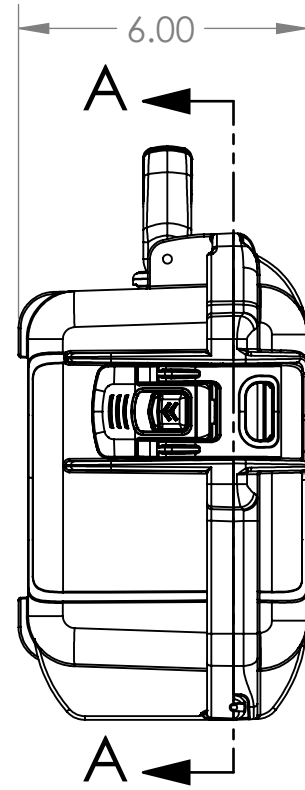
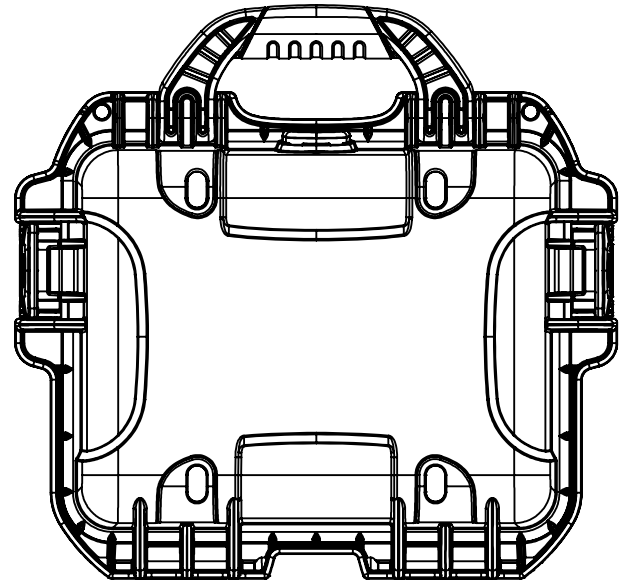


THE INFORMATION CONTAINED IN THIS DRAWING IS THE SOLE PROPERTY OF PLASTICASE ANY REPRODUCTION IN PART OR WHOLE WITHOUT THE WRITTEN PERMISSION OF PLASTICASE IS PROHIBITED.

REVISIONS			
REV.	DESCRIPTION	DATE	APPROVED

D
C
B
A

D
C
B
A



NANUK 905 Specifications	
Interior Length	9.42" / 239mm
Interior Width	7.42" / 188mm
Interior Height	5.44" / 138mm
Interior Lid Depth	1.35" / 34mm
Interior Base Depth	4.10" / 104mm
Exterior Length	12.53" / 318mm
Exterior Width	10.13" / 257mm
Exterior Height	6.00" / 152mm
Master Pack Qty.	6
Master Pack Wt.	26.85lbs / 12.18kg
Max Buoyancy	17lbs / 7.7kg
Case Weight Empty	3.3lbs / 1.5kg

SECTION B-B
SCALE 1 : 4

SECTION A-A
SCALE 1 : 4

PARTS LIST			
UNLESS OTHERWISE SPECIFIED DIMENSIONS ARE IN INCHES		CAD GENERATED DRAWING, DO NOT MANUALLY UPDATE	
APPROVALS		DATE	
DRAWN	B.C.	25/10/2013	
CHECKED			
RESP ENG			
MFG ENG			
QUAL ENG			
DO NOT SCALE DRAWING			
MATERIAL		PLASTICASE	
FINISH		NANUK 905	
SIZE	DWG. NO.	REV.	
B			
SCALE	CAD FILE:	SHEET	OF
1:1	905_ASSEMBLY	1	1