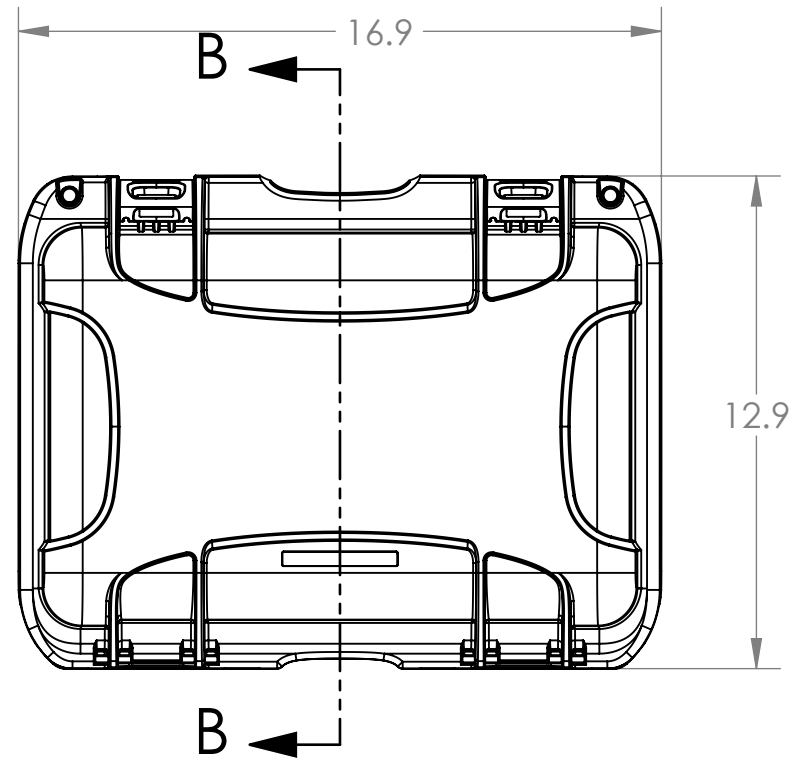
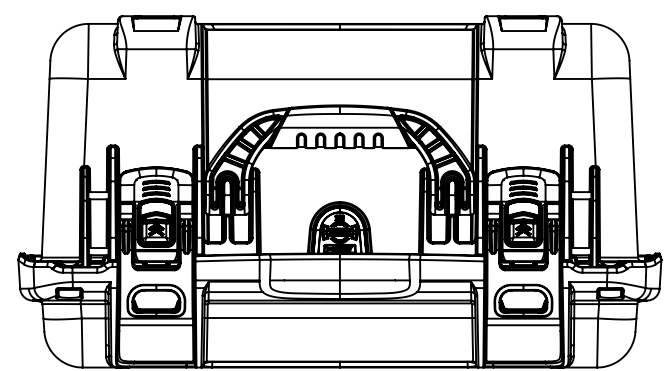
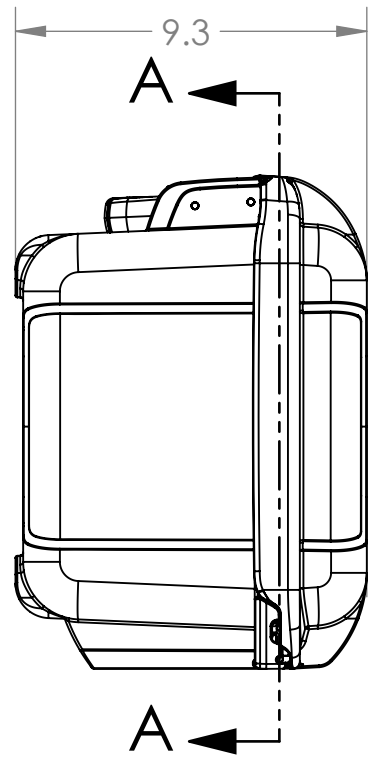
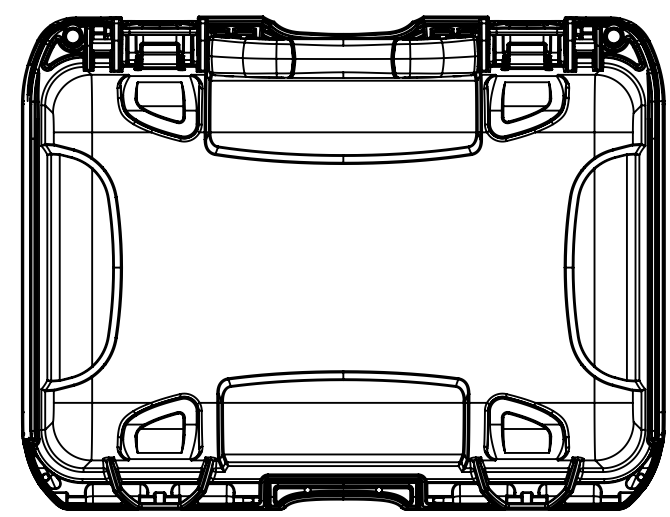


THE INFORMATION CONTAINED IN THIS DRAWING IS THE SOLE PROPERTY OF PLASTICASE ANY REPRODUCTION IN PART OR WHOLE WITHOUT THE WRITTEN PERMISSION OF PLASTICASE IS PROHIBITED.

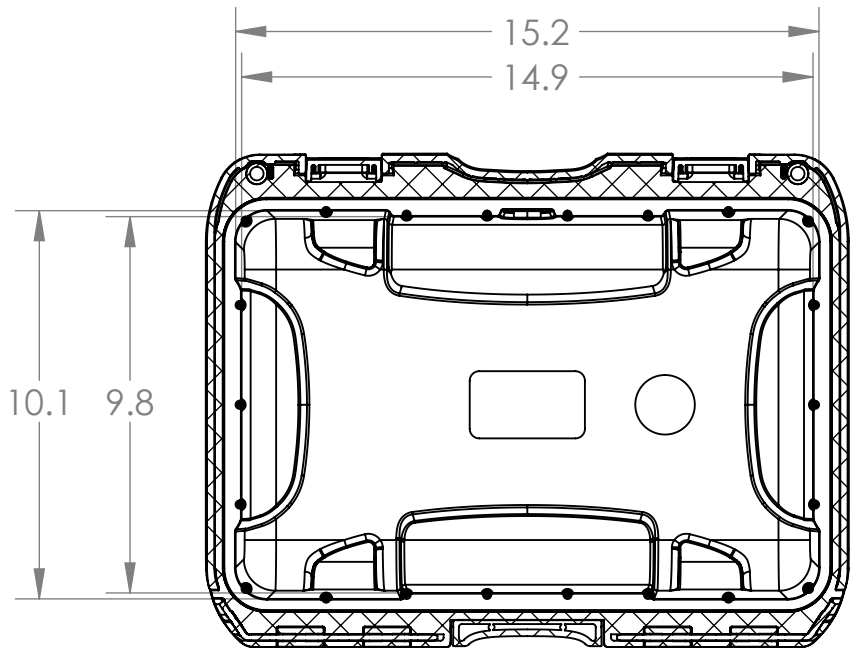
REVISIONS			
REV.	DESCRIPTION	DATE	APPROVED

D  
C  
B  
A

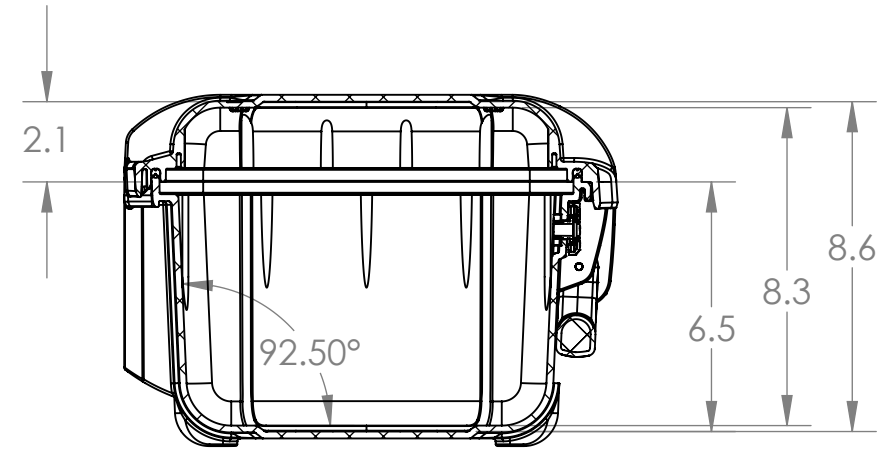
D  
C  
B  
A



NANUK 918 Specifications	
Case Weight Empty	EST - 6.4lbs / 2.9kg
Interior Length	14.9" / 378mm
Interior Width	9.8" / 249mm
Interior Height	8.6" / 218mm
Interior Lid Depth	2.1" / 53mm
Interior Base Depth	6.5" / 165mm
Exterior Length	16.9" / 429mm
Exterior Width	12.9" / 328mm
Exterior Height	9.3" / 232mm
Master Pack Qty.	TBD
Master Pack Wt.	TBD
Max Buoyancy	TBD



SECTION A-A



SECTION B-B

PARTS LIST			
UNLESS OTHERWISE SPECIFIED DIMENSIONS ARE IN INCHES	CAD GENERATED DRAWING, DO NOT MANUALLY UPDATE		PLASTICASE
	APPROVALS	DATE	
	DRAWN B.C.	18/04/2016	NANUK 918
	CHECKED		
	RESP ENG		
	MFG ENG		
	QUAL ENG		
MATERIAL			
FINISH --			
DO NOT SCALE DRAWING			
	SIZE B	DWG. NO.	REV.
	SCALE 1:5	CAD FILE: 918_Assembly_T2_Rev1	SHEET 1 OF 1