



1059, boulevard des Entreprises Ouest  
 Terrebonne, QC Canada J6Y 1V2  
 Tel 450-628-1006 1.800.783.6883  
 Fax 450-628-7801 1.888.783.6883  
 www.plasticase.com

**CUBE FOAM INSERT**

**923\_NANUK**

PROJECT

PRODUCT

00923\_NANUK\_p.00

DWG ID

STATUS

YOUR SIGNATURE IS REQUIRED FOR APPROVAL BEFORE ANY RELEASE OF PRODUCTION DRAWINGS

**TOLERANCES**

CUTOUTS +/- 1/16

OVERALL FOAM THICKNESS & CAVITY DEPTHS +/- 1/8

GLUED TO CASE TOP  BASE  VELCRO  EXTRA

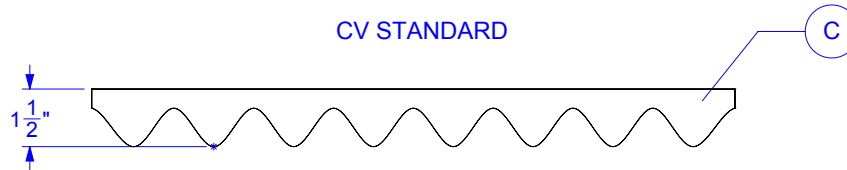
PRINTING PRINT  PLAIN  NANUK LABEL

QUANTITY \_\_\_\_\_

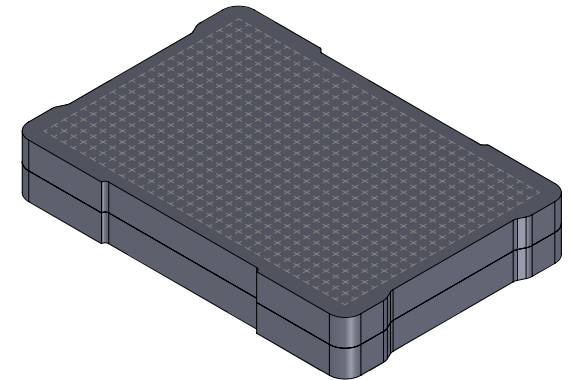
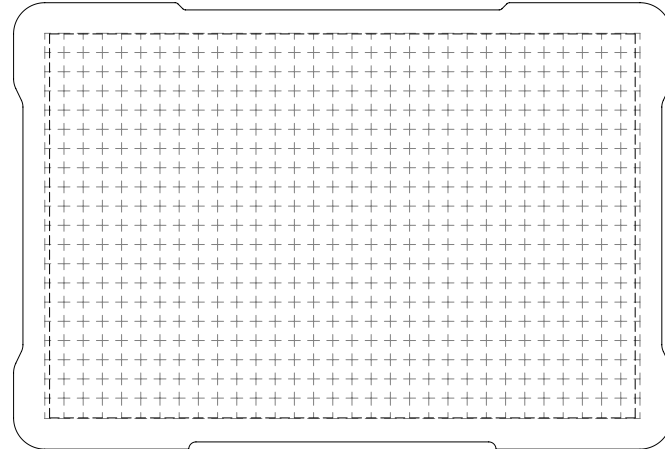
COLOR \_\_\_\_\_

REVISIONS			
REV.	DESCRIPTION	DATE	INITIALS

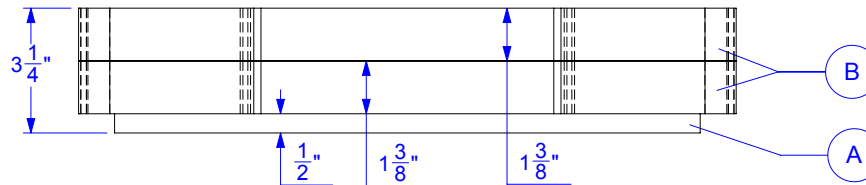
LID TRAY - ELEVATION



BASE TRAY



BASE TRAY - ELEVATION



**PROPRIETARY AND CONFIDENTIAL**

THE INFORMATION CONTAINED IN THIS DRAWING IS THE SOLE & EXCLUSIVE PROPERTY OF PLASTICASE INC. ANY REPRODUCTION IN PART OR WHOLE WITHOUT THE WRITTEN PERMISSION OF PLASTICASE INC. IS PROHIBITED.

DO NOT SCALE DRAWING  
 SHEET SCALE 1:5

REPRESENTATIVE

Karen Dupuis  
 DESIGNER

2016-08-04  
 DATE



1059, boulevard des Entreprises Ouest  
 Terrebonne, QC Canada J6Y 1V2  
 Tel 450-628-1006 1.800.783.6883  
 Fax 450-628-7801 1.888.783.6883  
 www.plasticase.com

**CUBE FOAM INSERT**

**923\_NANUK**

00923\_NANUK\_p.00

PROJECT

PRODUCT

DWG ID

STATUS

YOUR SIGNATURE IS REQUIRED FOR APPROVAL BEFORE ANY RELEASE OF PRODUCTION DRAWINGS

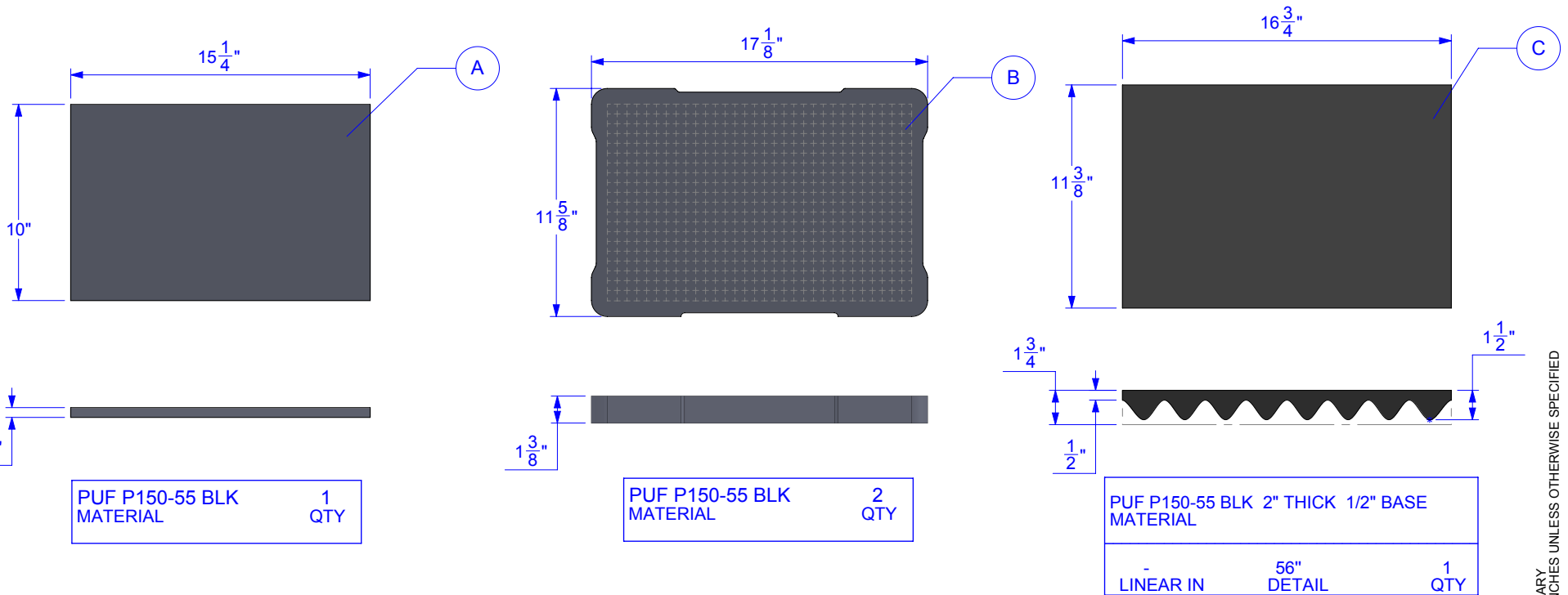
**TOLERANCES**

CUTOUTS +/- 1/16

OVERALL FOAM THICKNESS & CAVITY DEPTHS +/- 1/8

SIGNATURE

DATE



FOAM DENSITY MAY VARY. DIMENSIONS ARE IN INCHES UNLESS OTHERWISE SPECIFIED

**PROPRIETARY AND CONFIDENTIAL**

THE INFORMATION CONTAINED IN THIS DRAWING IS THE SOLE & EXCLUSIVE PROPERTY OF PLASTICASE INC. ANY REPRODUCTION IN PART OR WHOLE WITHOUT THE WRITTEN PERMISSION OF PLASTICASE INC. IS PROHIBITED.

DO NOT SCALE DRAWING  
 SHEET SCALE 1:8

REPRESENTATIVE

Karen Dupuis  
 DESIGNER

2016-08-04  
 DATE