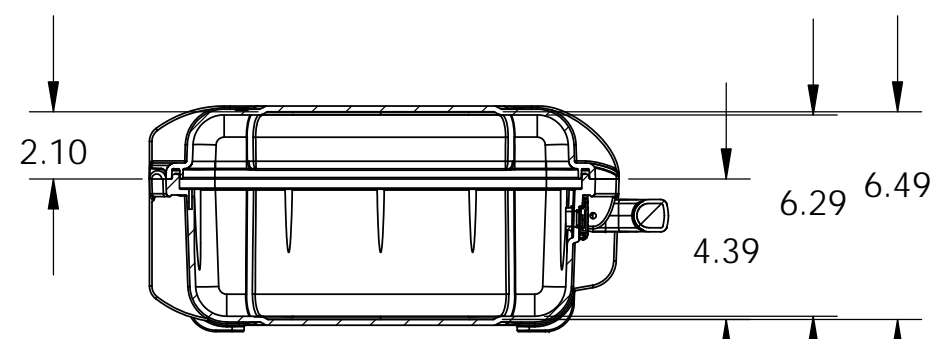
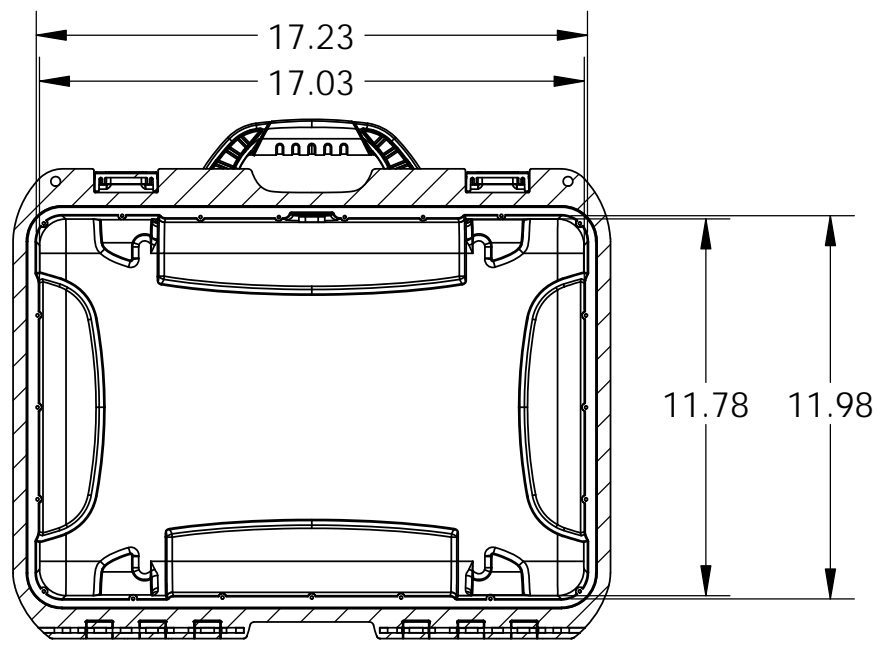
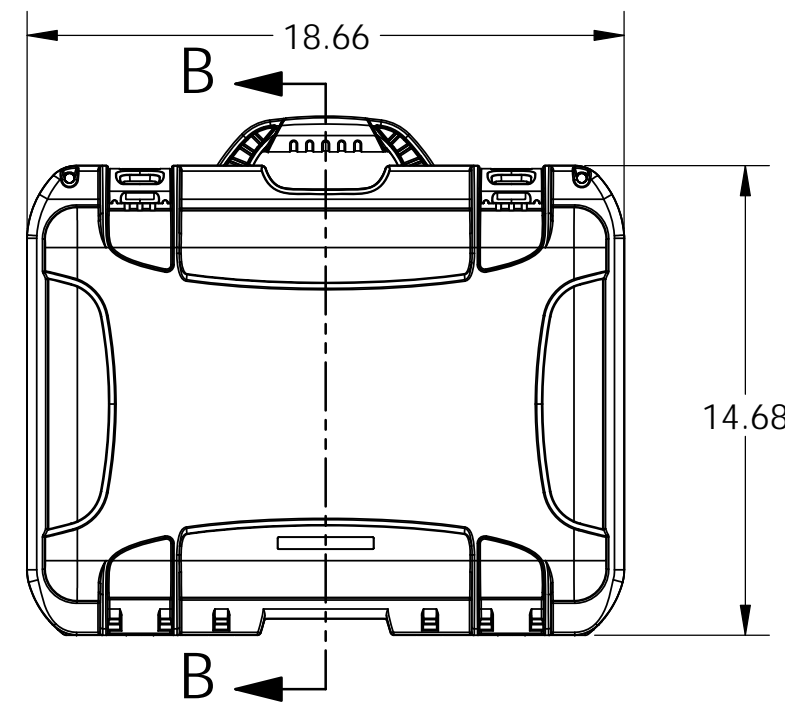
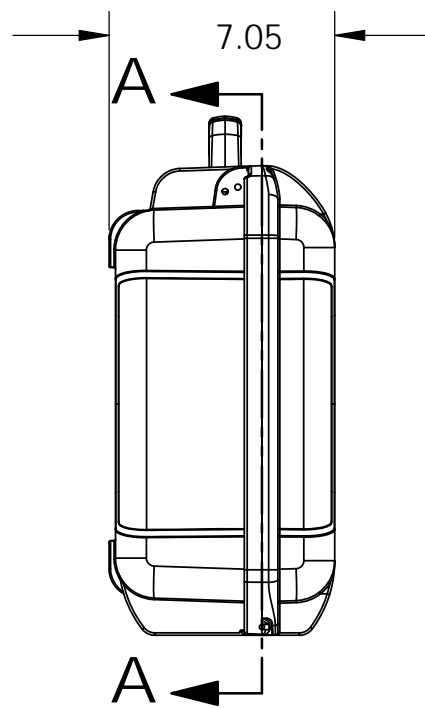
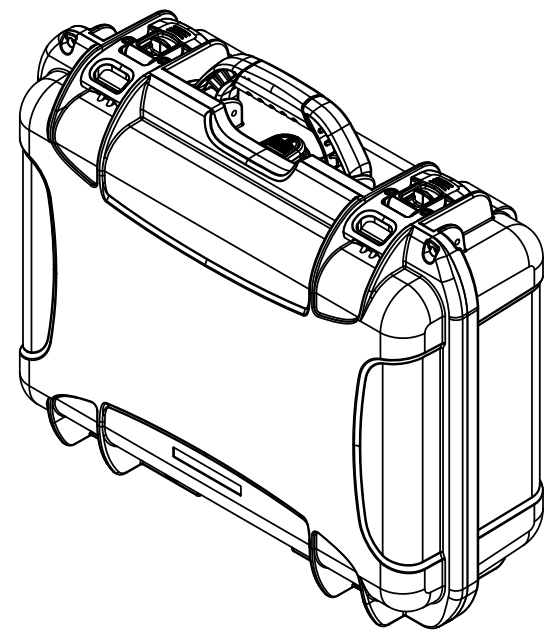
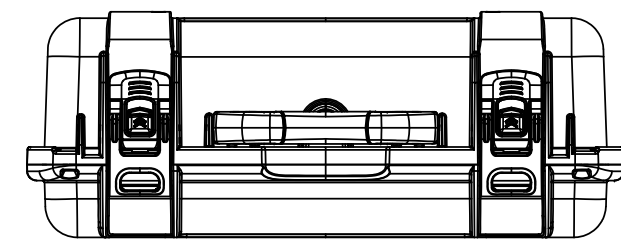
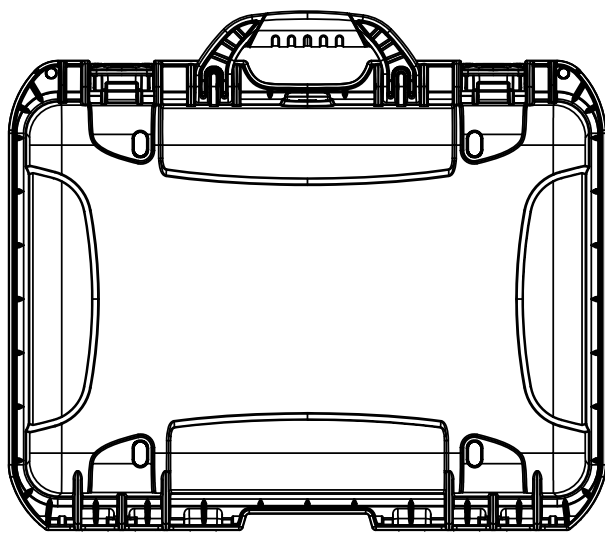


THE INFORMATION CONTAINED IN THIS DRAWING IS THE SOLE PROPERTY OF PLASTICASE ANY REPRODUCTION IN PART OR WHOLE WITHOUT THE WRITTEN PERMISSION OF PLASTICASE IS PROHIBITED.

REVISIONS			
REV.	DESCRIPTION	DATE	APPROVED

D
C
B
A



NANUK 925 Specifications	
Case Weight Empty	6.2lbs / 2.8kg
Interior Length	17.02" / 432mm
Interior Width	11.78" / 299mm
Interior Height	6.49" / 165mm
Interior Lid Depth	2.11" / 54mm
Interior Base Depth	4.39" / 112mm
Exterior Length	18.66" / 474mm
Exterior Width	14.68" / 373mm
Exterior Height	7.05" / 179mm
Master Pack Qty.	4
Master Pack Wt.	33.9lbs / 15.38kg
Max Buoyancy	53lbs / 24kg

SECTION A-A

SECTION B-B

PARTS LIST			
UNLESS OTHERWISE SPECIFIED DIMENSIONS ARE IN INCHES	CAD GENERATED DRAWING, DO NOT MANUALLY UPDATE		PLASTICASE
	APPROVALS	DATE	
MATERIAL	DRAWN	B.C.	NANUK 925
	CHECKED	6/30/2011	
FINISH	RESP ENG		SIZE B DWG. NO. REV.
	MFG ENG		
DO NOT SCALE DRAWING	QUAL ENG		SCALE 1:6 CAD FILE: 925_ASSEMBLY SHEET 1 OF 1

8 7 6 5 4 3 2 1

8 7 6 5 4 3 2 1