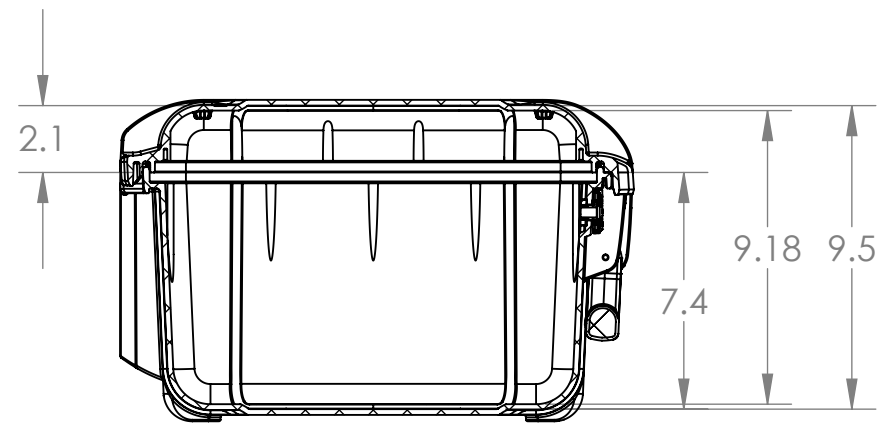
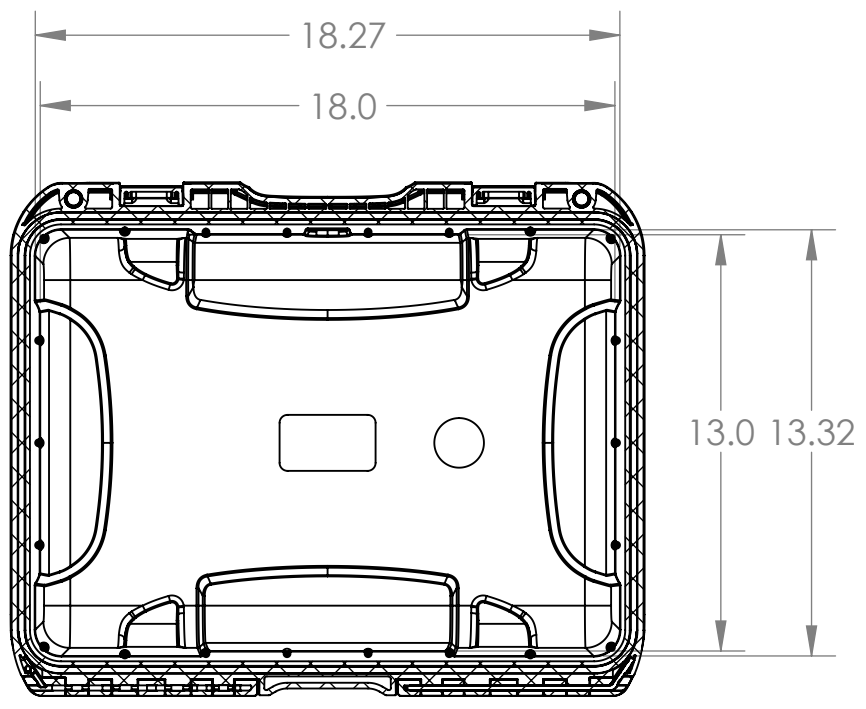
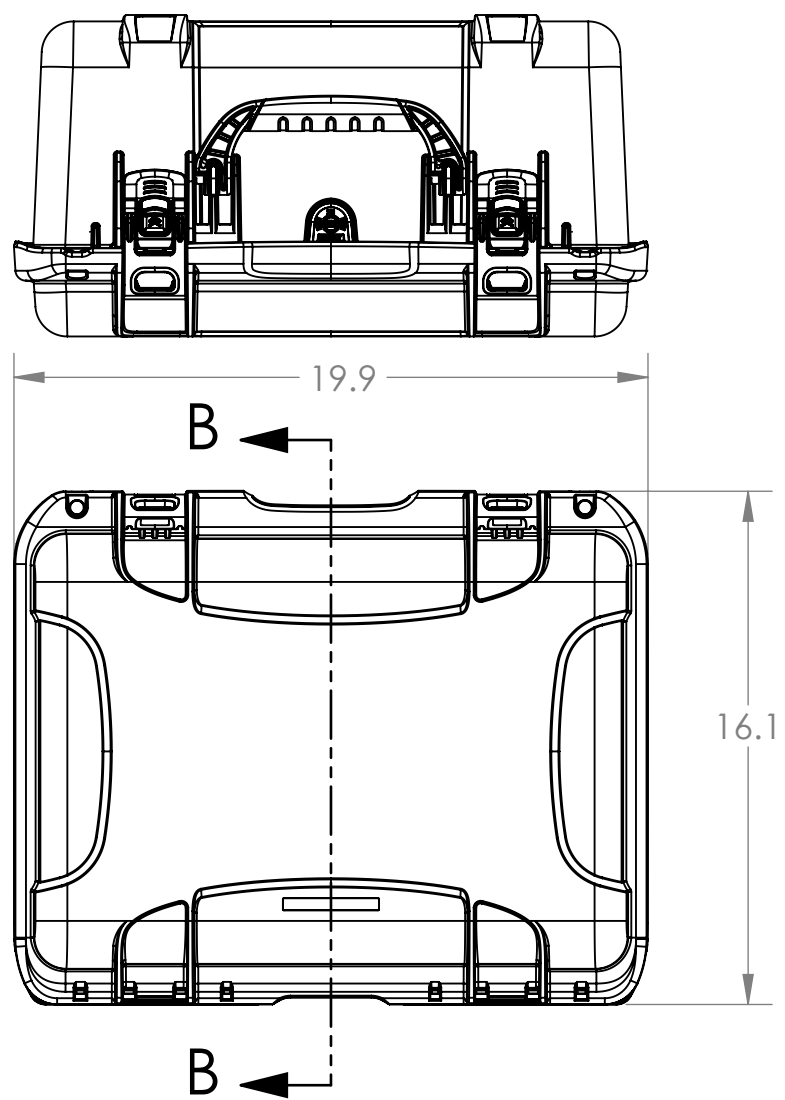
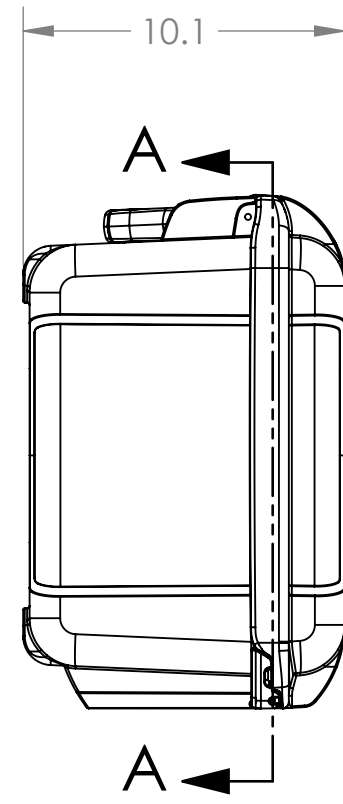
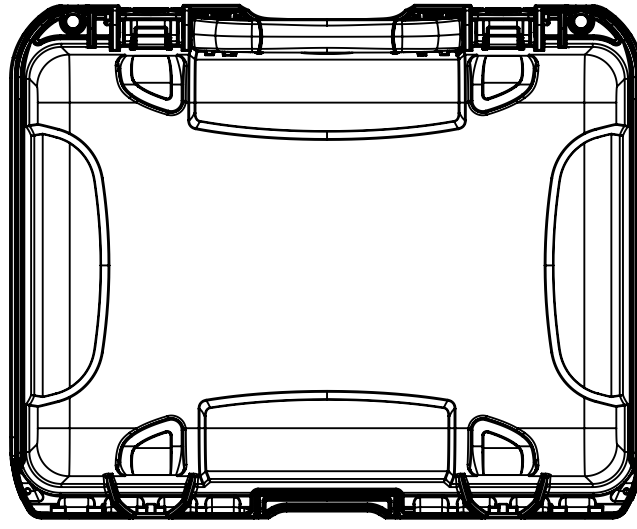


THE INFORMATION CONTAINED IN THIS DRAWING IS THE SOLE PROPERTY OF PLASTICASE ANY REPRODUCTION IN PART OR WHOLE WITHOUT THE WRITTEN PERMISSION OF PLASTICASE IS PROHIBITED.

REVISIONS			
REV.	DESCRIPTION	DATE	APPROVED

D  
C  
B  
A



NANUK 933 Specifications	
Case Weight Empty	8.7lbs / 3.9kg
Interior Length	18.0" / 457 mm
Interior Width	13.0" / 330 mm
Interior Height	9.5" / 241mm
Interior Lid Depth	2.1" / 53 mm
Interior Base Depth	7.4" / 188 mm
Exterior Length	19.9" / 505 mm
Exterior Width	16.1" / 409 mm
Exterior Height	10.1" / 257 mm
Master Pack Qty.	TBD
Master Pack Wt.	TBD
Max Buoyancy	TBD

SECTION A-A

SECTION B-B

PARTS LIST			
UNLESS OTHERWISE SPECIFIED DIMENSIONS ARE IN INCHES		CAD GENERATED DRAWING, DO NOT MANUALLY UPDATE	
APPROVALS		DATE	
DRAWN	B.C.	18/04/2016	
CHECKED			
RESP ENG			
FINISH		MFG ENG	
---		QUAL ENG	
DO NOT SCALE DRAWING		SIZE B	DWG. NO.
		SCALE 1:6	REV.
		CAD FILE: 933_Assembly	SHEET 1 OF 1

PLASTICASE  
NANUK 933