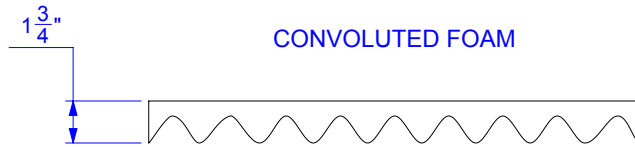
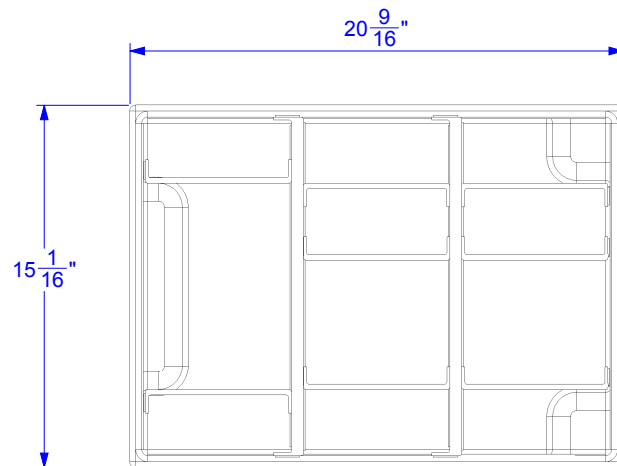


ITEM	DESCRIPTION	QTY.
1	950_PADDED DIVIDER BASE	1
2	950_PADDED DIVIDER 7.25" X 0.5" X 6"	8
3	950_PADDED DIVIDER 7.25" X 0.5" X 14"	2
4	950_CONVOLUTED FOAM	1

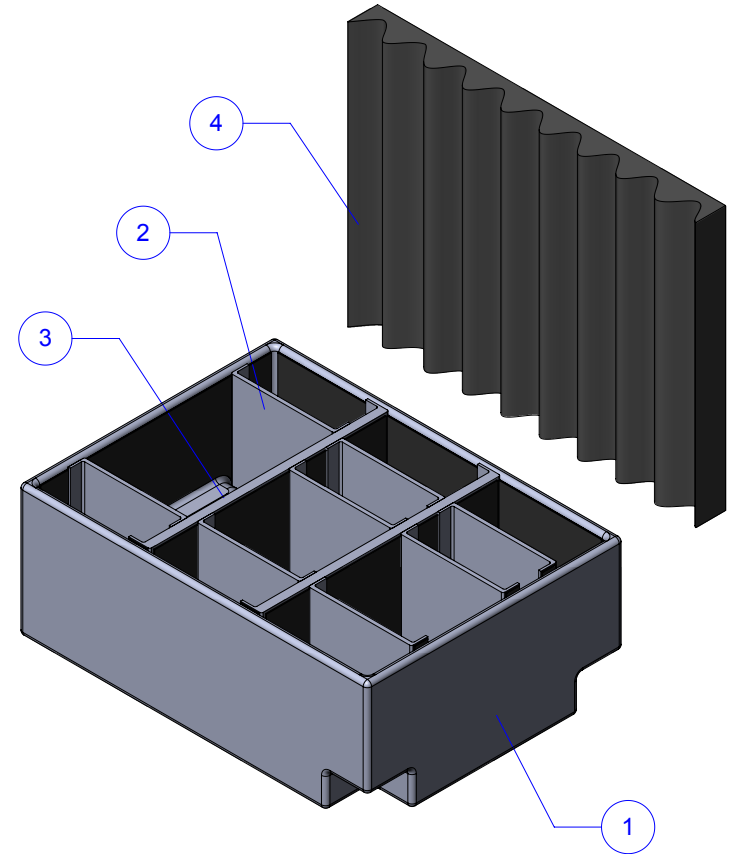
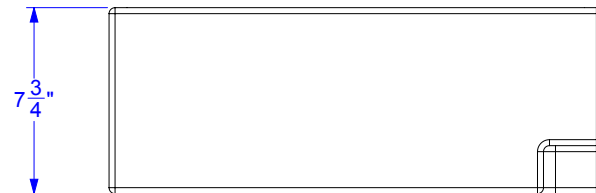
LID TRAY - ELEVATION



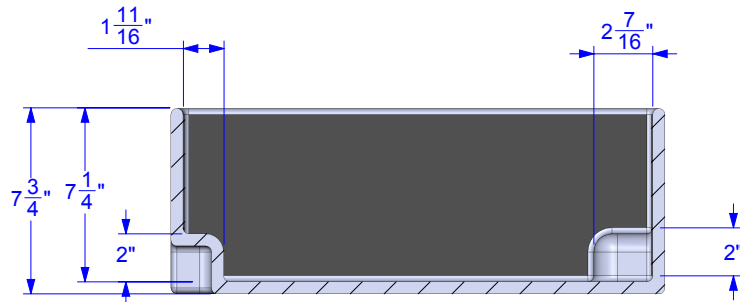
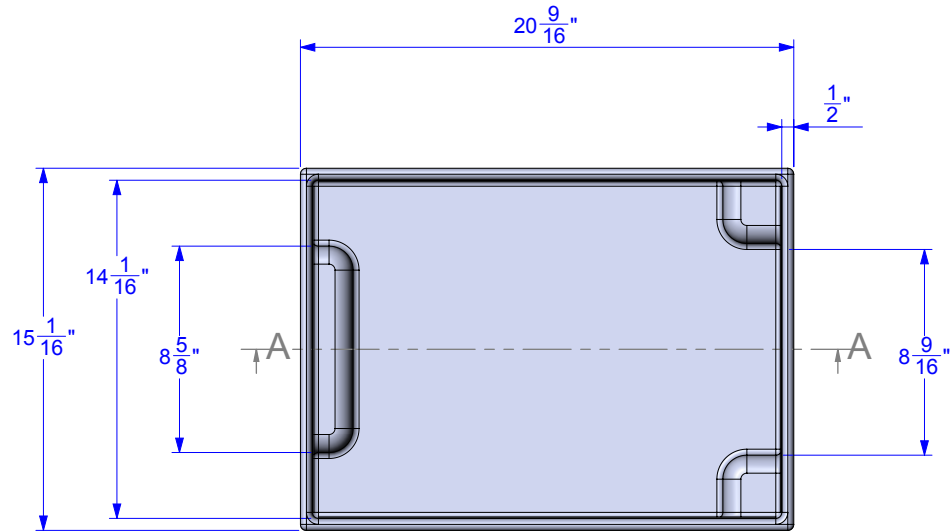
BASE



BASE - ELEVATION

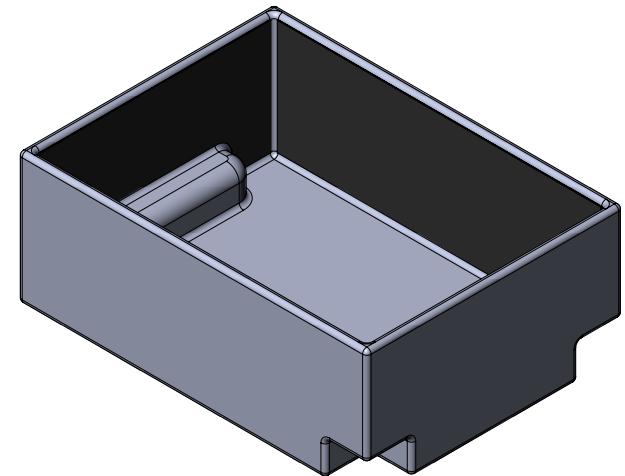


REV.	DESCRIPTION	DATE	INIT
REVISIONS			

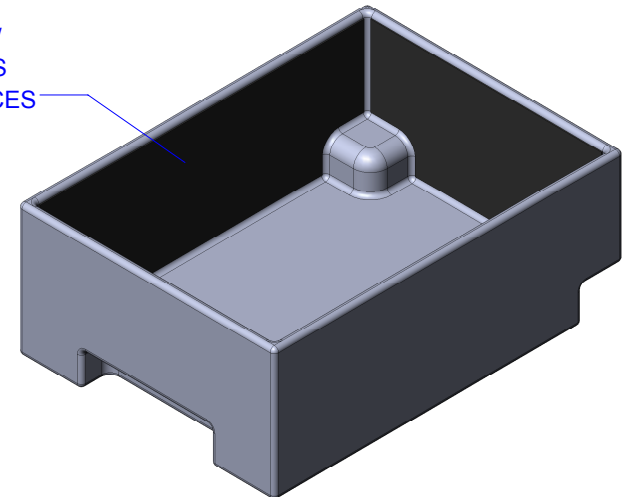


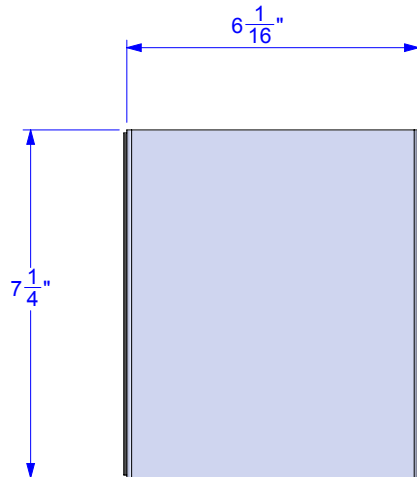
SECTION A-A

950_PADDED DIVIDER BASE

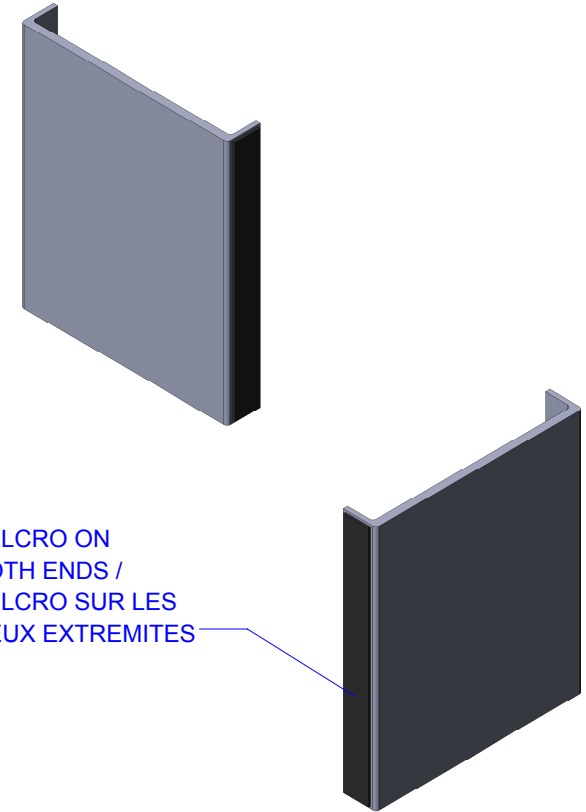
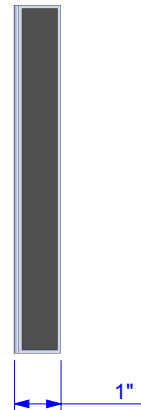


VELCRO ON
 ALL FOUR SIDES/
 VELCRO SUR LES
 QUATRE SURFACES

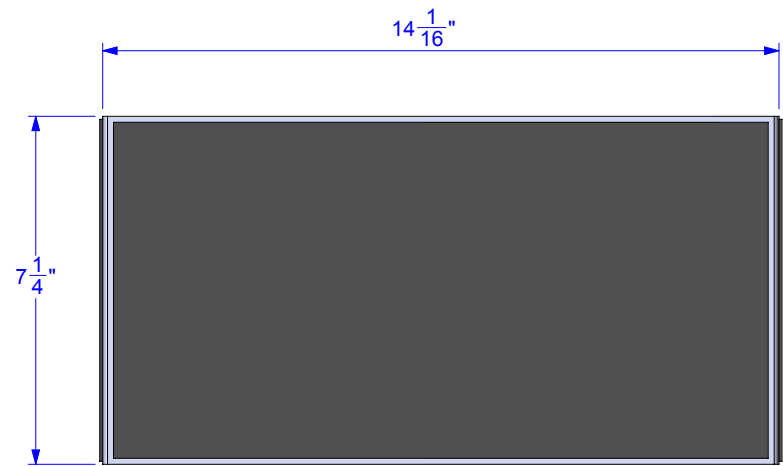




950_PADDED DIVIDER 7.25" X 0.5" X 6"

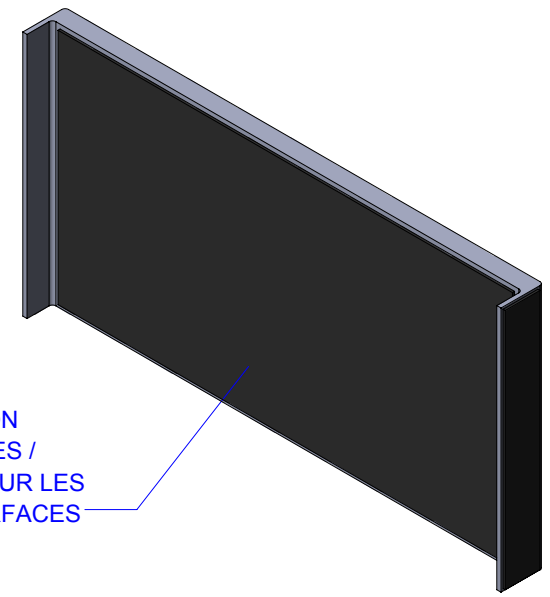


VELCRO ON
 BOTH ENDS /
 VELCRO SUR LES
 DEUX EXTREMITES

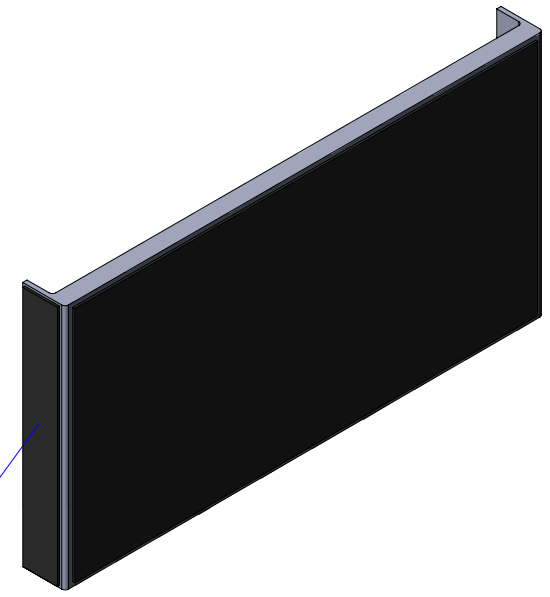
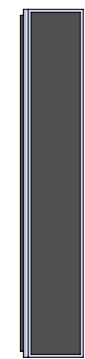


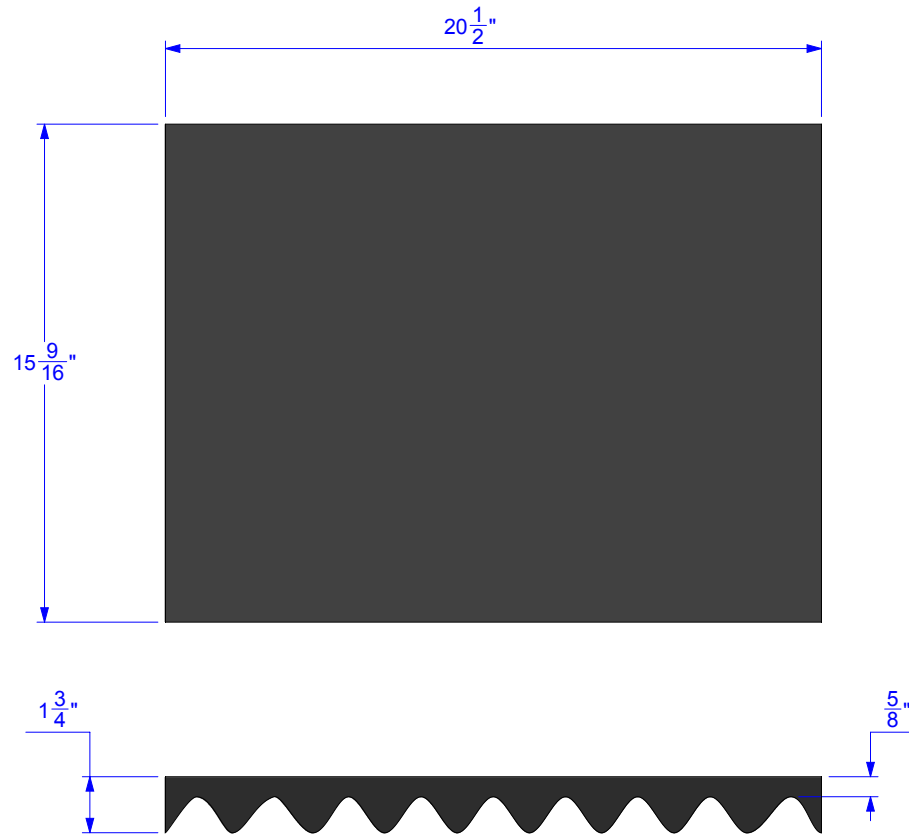
950_PADDED DIVIDER 7.25" X 0.5" X 14"

VELCRO ON BOTH SIDES /
VELCRO SUR LES DEUX SURFACES



VELCRO ON BOTH ENDS /
VELCRO SUR LES DEUX EXTREMITES





950_CONVOLUTED FOAM