



1059, boulevard des Entreprises Ouest  
 Terrebonne, QC Canada J6Y 1V2  
 Tel 450-628-1006 1.800.783.6883  
 Fax 450-628-7801 1.888.783.6883  
 www.plasticase.com

**CUBED FOAM INSERT**

PROJECT

YOUR SIGNATURE IS REQUIRED FOR APPROVAL BEFORE ANY RELEASE OF PRODUCTION DRAWINGS

SIGNATURE

**960\_NANUK**

PRODUCT

DATE

**00960FV\_NANUK**

DWG ID

**p.01**

STATUS

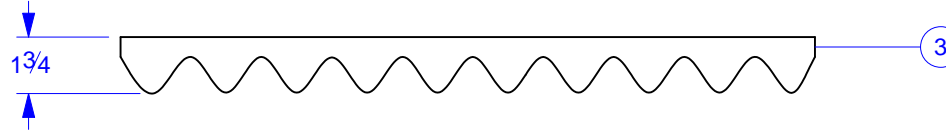
**FE**  
INIT

DESCRIPTION CHANG.

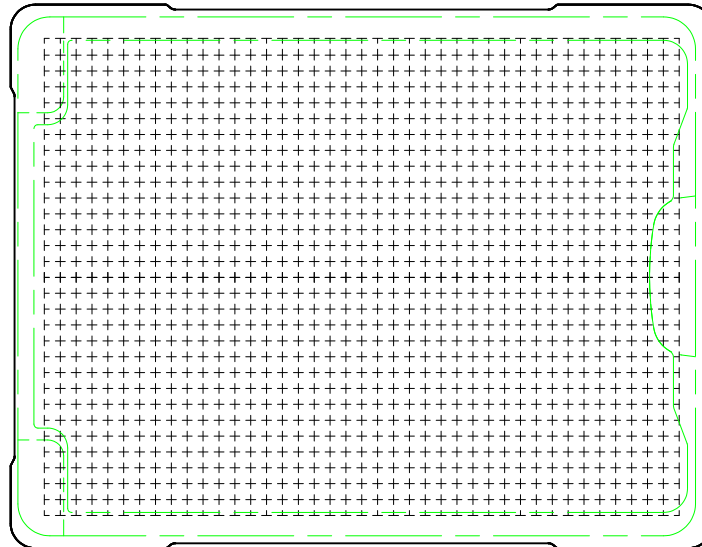
DATE

**ASSEMBLY**

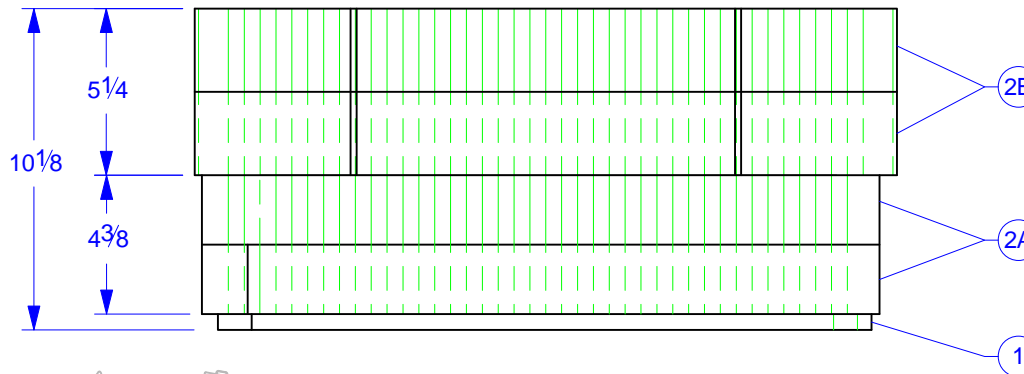
LID EGGSHELL



BASE TRAY



BASE TRAY - ELEVATION



**GLUED** TOP  BASE  VELCRO  XTRA

**SILKSCREEN** PRINT  PLAIN

**LABEL** CUSTOM  STD  NONE

**BOX** PRINT  PLAIN  **BAG** PRINT  PLAIN

**QUANTITY** 250, \_\_\_\_\_

**COLOR** - \_\_\_\_\_

**TOLERANCES**  
 CUTOUTS +/- 1/16  
 OVERALL FOAM THICKNESS & CAVITY DEPTHS +/- 1/8



FOAM DENSITY MAY VARY  
 DIMENSIONS ARE IN INCHES UNLESS OTHERWISE SPECIFIED

THE INFORMATION CONTAINED IN THIS DRAWING IS THE SOLE AND EXCLUSIVE PROPERTY OF PLASTICASE INC.  
 ANY REPRODUCTION IN PART OR WHOLE WITHOUT THE WRITTEN PERMISSION OF PLASTICASE INC. IS PROHIBITED

TO FIT  
SCALE

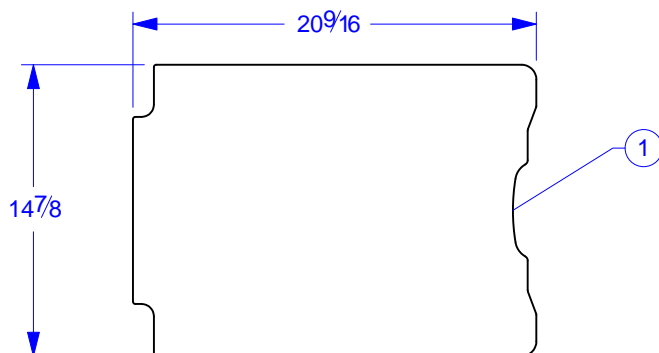
AS REQUESTED  
CONCEPT

Frank Vitiello  
REPRESENTATIVE

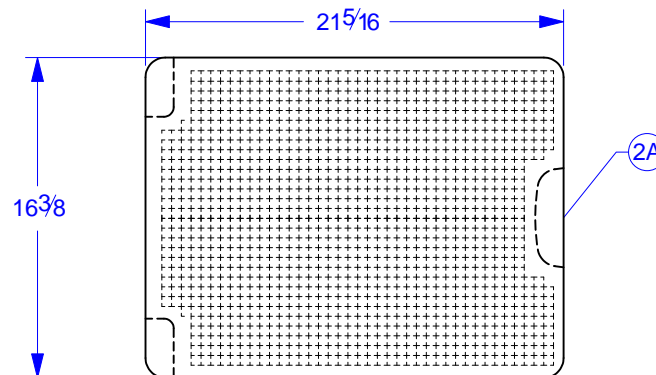
Vanessa Moscato  
DESIGNER

2013.07.22  
DATE INIT

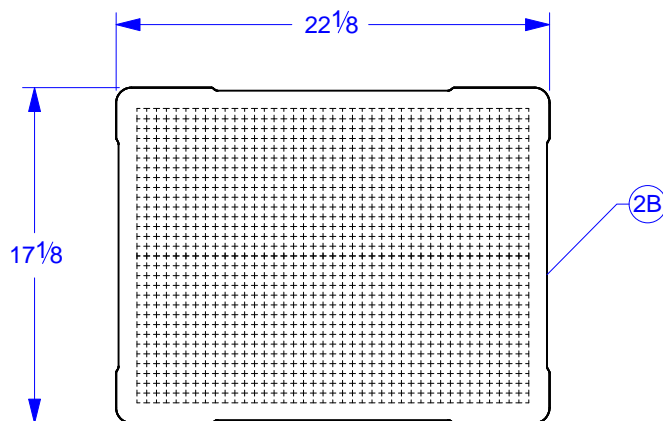
LAYOUT



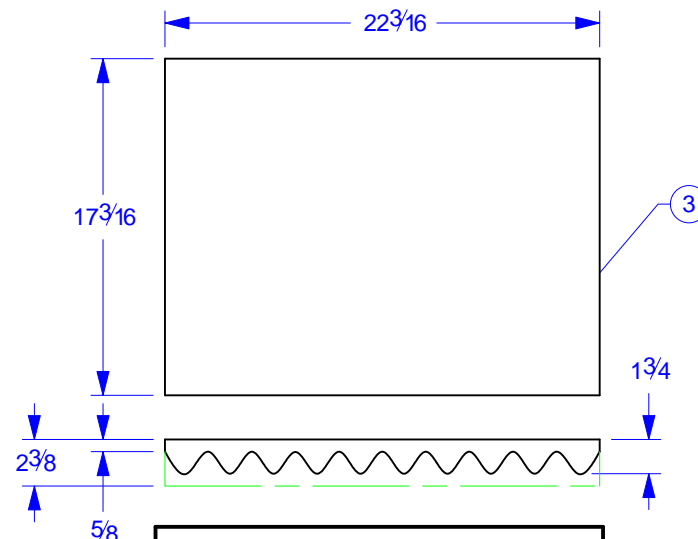
PUF 1.5 BLACK 1/2" THICK		
MATERIAL		
-	71"	1
DETAILS	LINEAR IN	QTY



PUF 1.5 BLACK 2 3/16" THICK		
MATERIAL		
-	837"	2
DETAILS	LINEAR IN	QTY



PUF 1.5 BLACK 2 5/8" THICK		
MATERIAL		
-	1007"	2
DETAILS	LINEAR IN	QTY



PUF 1.5 BLACK CV 2 3/8" THICK 5/8" BASE (945)		
MATERIAL		
-	"	1
DETAILS	LINEAR IN	QTY

FOAM DENSITY MAY VARY  
 DIMENSIONS ARE IN INCHES UNLESS OTHERWISE SPECIFIED



1059, boulevard des Entreprises Ouest  
 Terrebonne, QC Canada J6Y 1V2  
 Tel 450-628-1006 1.800.783.6883  
 Fax 450-628-7801 1.888.783.6883 www.plasticase.com

CUBED FOAM INSERT

960\_NANUK

00960FV\_NANUK

p.01

PROJECT

PRODUCT

DWG ID

STATUS

YOUR SIGNATURE IS REQUIRED FOR APPROVAL BEFORE ANY RELEASE OF PRODUCTION DRAWINGS

FE

SIGNATURE

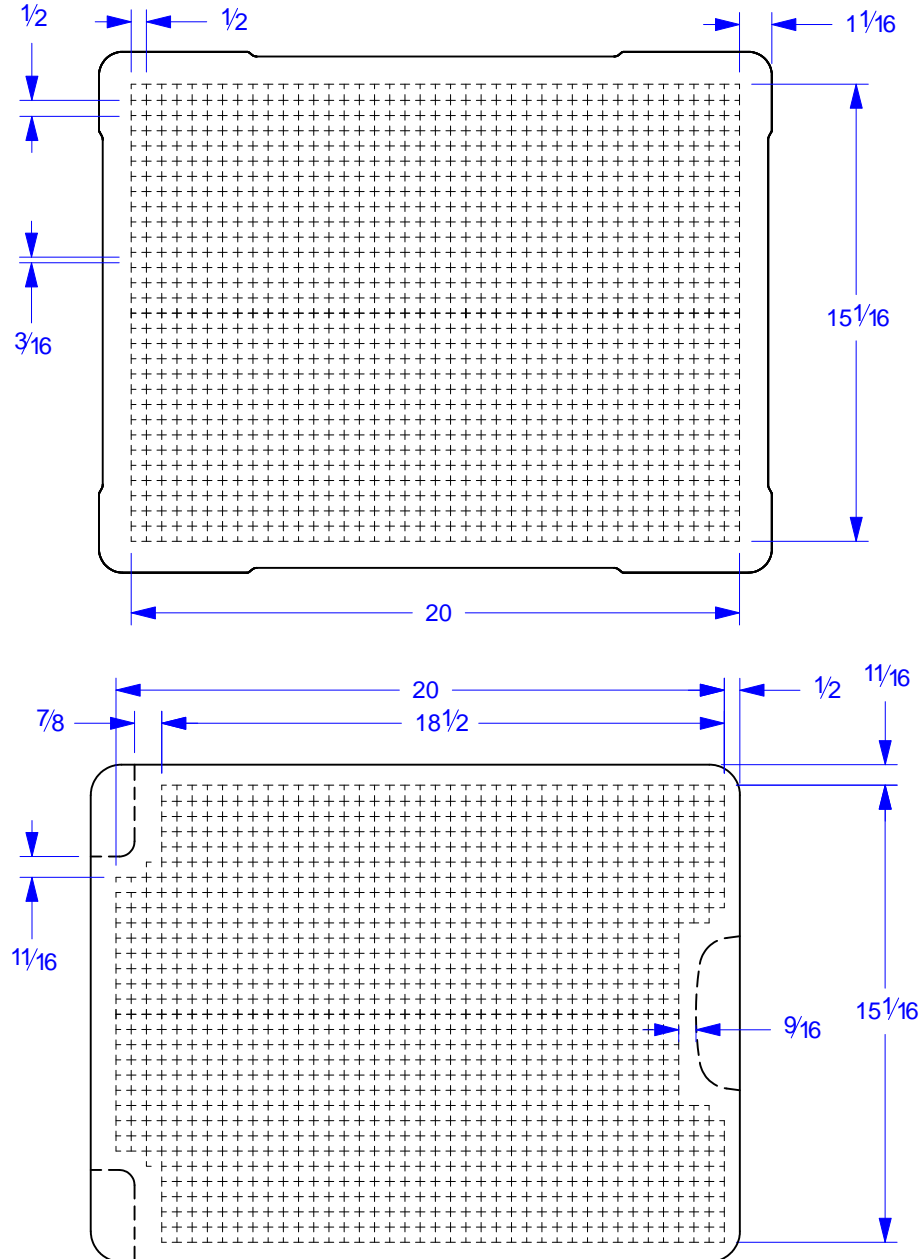
DATE

DESCRIPTION CHANG.

DATE

INIT

DETAILS



FOAM DENSITY MAY VARY  
 DIMENSIONS ARE IN INCHES UNLESS OTHERWISE SPECIFIED

THE INFORMATION CONTAINED IN THIS DRAWING IS THE SOLE AND EXCLUSIVE PROPERTY OF PLASTICASE INC.  
 ANY REPRODUCTION IN PART OR WHOLE WITHOUT THE WRITTEN PERMISSION OF PLASTICASE INC. IS PROHIBITED

TO FIT  
 SCALE

AS REQUESTED  
 CONCEPT

Frank Vitiello  
 REPRESENTATIVE

Vanessa Moscato  
 DESIGNER

2013.07.22  
 DATE INIT

3/3