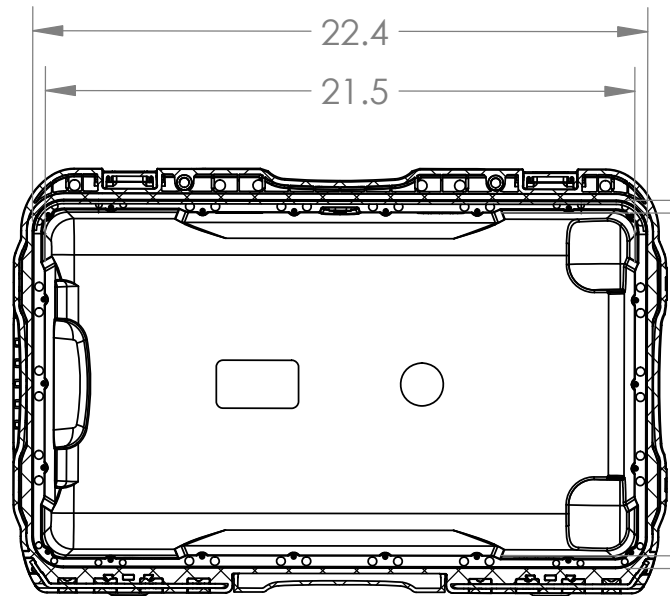
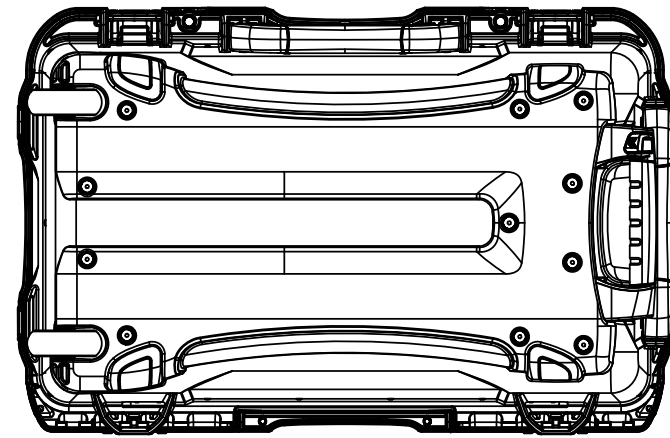
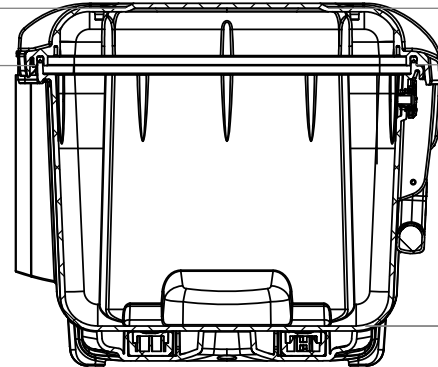
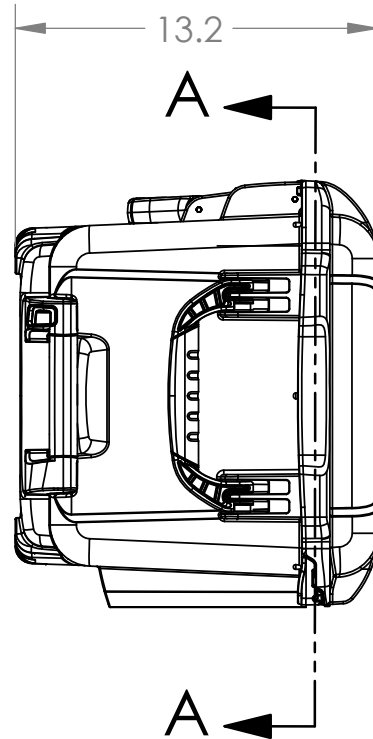


THE INFORMATION CONTAINED IN THIS DRAWING IS THE SOLE PROPERTY OF PLASTICASE ANY REPRODUCTION IN PART OR WHOLE WITHOUT THE WRITTEN PERMISSION OF PLASTICASE IS PROHIBITED.

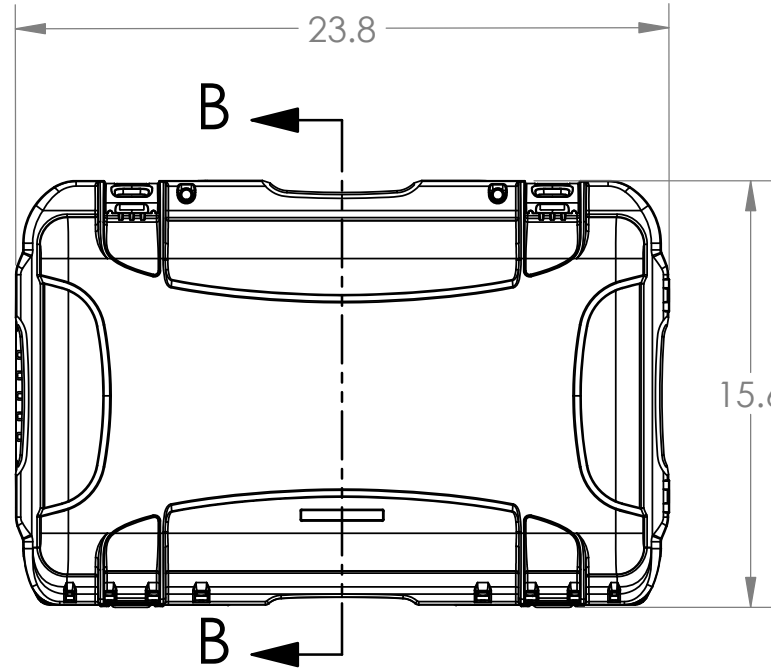
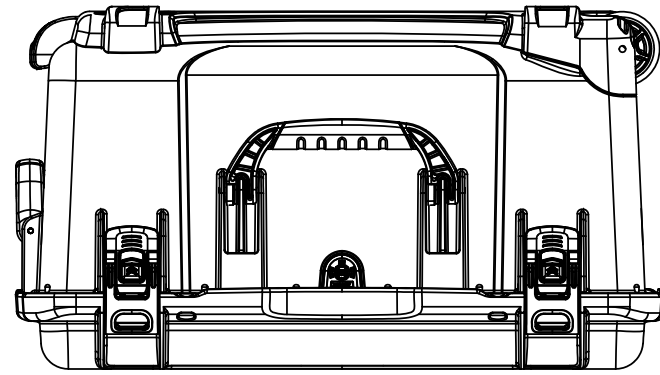
REVISIONS			
REV.	DESCRIPTION	DATE	APPROVED



SECTION A-A



SECTION B-B



NANUK 938 Specifications

Case Weight Empty	14.55 lbs / 6.60 kg
Interior Length	21.5" / 546mm
Interior Width	12.5" / 318mm
Interior Height	11.6" / 295mm
Interior Lid Depth	2.1" / 53mm
Interior Base Depth	9.5" / 241mm
Exterior Length	23.8" / 605mm
Exterior Width	15.6" / 396mm
Exterior Height	13.2" / 335mm
Master Pack Qty.	1
Master Pack Wt.	TBD
Max Buoyancy	TBD

PARTS LIST			
UNLESS OTHERWISE SPECIFIED DIMENSIONS ARE IN INCHES	CAD GENERATED DRAWING, DO NOT MANUALLY UPDATE		<p>PLASTICASE</p> <p>NANUK 938</p>
	APPROVALS	DATE	
	DRAWN VM	2019-09-03	
	CHECKED		
	RESP ENG		
MATERIAL			
FINISH --	MFG ENG		
DO NOT SCALE DRAWING	QUAL ENG		
	SIZE B	DWG. NO.	REV.
	SCALE 1:7	CAD FILE: 938_Assembly	SHEET 1 OF 1