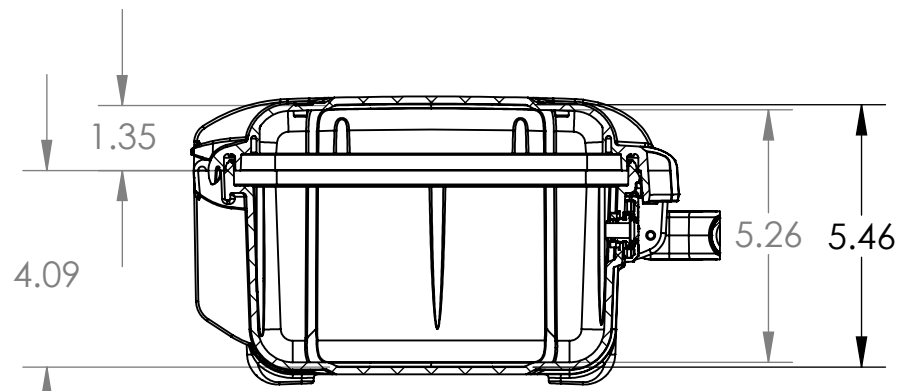
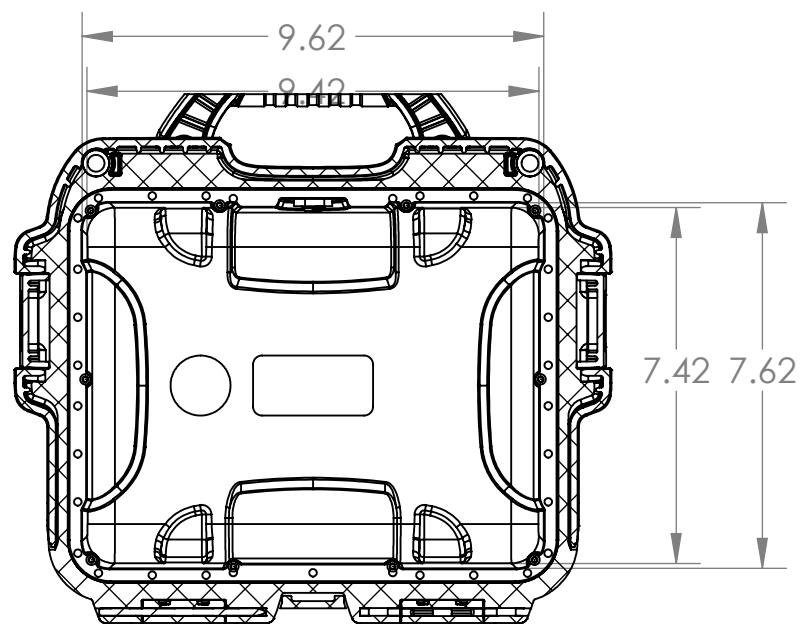
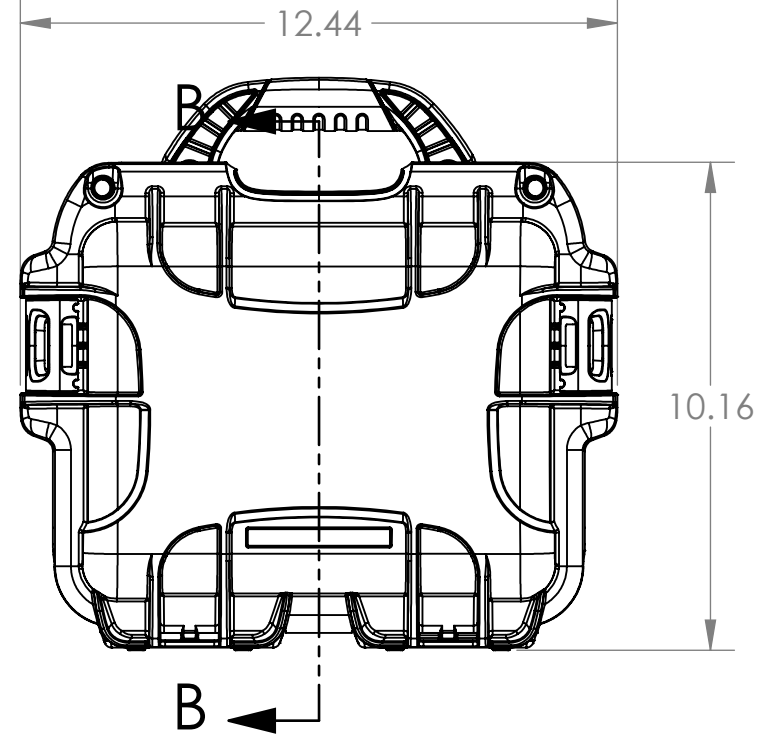
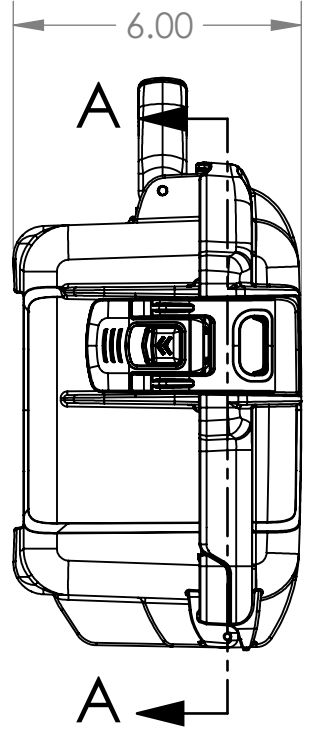
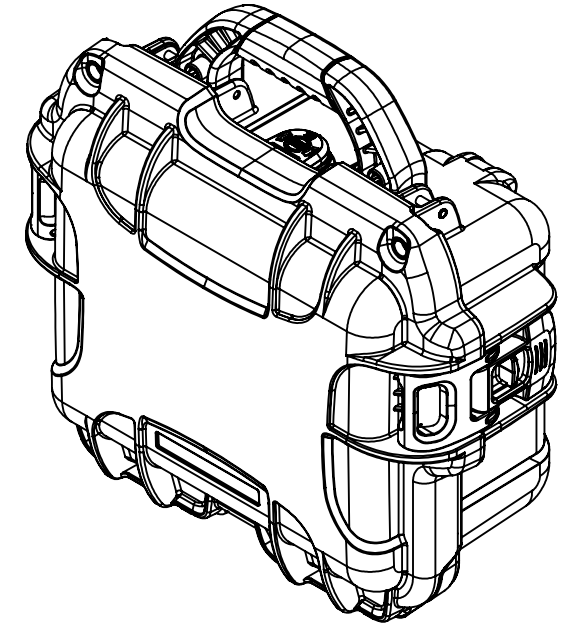
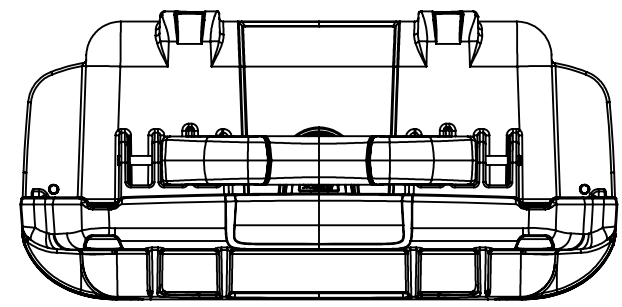
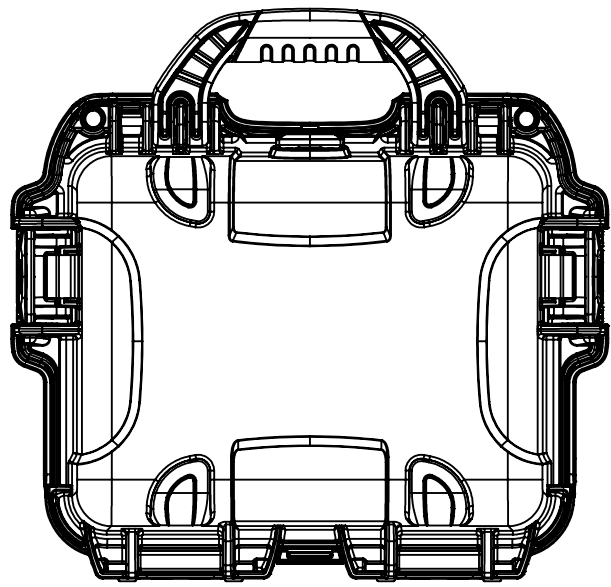


THE INFORMATION CONTAINED IN THIS DRAWING IS THE SOLE PROPERTY OF PLASTICASE ANY REPRODUCTION IN PART OR WHOLE WITHOUT THE WRITTEN PERMISSION OF PLASTICASE IS PROHIBITED.

REVISIONS			
REV.	DESCRIPTION	DATE	APPROVED

D  
C  
B  
A

D  
C  
B  
A



SECTION A-A  
SCALE 1 : 4

SECTION B-B  
SCALE 1 : 4

**NANUK 905 Specifications**

Interior Length	9.42" / 239mm
Interior Width	7.42" / 188mm
Interior Height	5.46" / 138mm
Interior Lid Depth	1.35" / 34mm
Interior Base Depth	4.09" / 104mm
Exterior Length	12.44" / 315mm
Exterior Width	10.16" / 259mm
Exterior Height	6.00" / 152mm
Master Pack Qty.	6
Master Pack Wt.	26.85lbs / 12.18kg
Max Buoyancy	17lbs / 7.7kg
Case Weight Empty	3.0lbs / 1.4kg

PARTS LIST

UNLESS OTHERWISE SPECIFIED DIMENSIONS ARE IN INCHES		CAD GENERATED DRAWING, DO NOT MANUALLY UPDATE		PLASTICASE	
APPROVALS		DATE			
DRAWN S.C.		04/03/2020		NANUK 905_R1	
CHECKED					
MATERIAL		RESP ENG		SIZE B DWG. NO. REV.	
FINISH --		MFG ENG			
DO NOT SCALE DRAWING		QUAL ENG			
SCALE 1:4		CAD FILE: 905_R1_ASSEMBLY_p.00		SHEET 1 OF 1	

8 7 6 5 4 3 2 1